

Quick Detail:

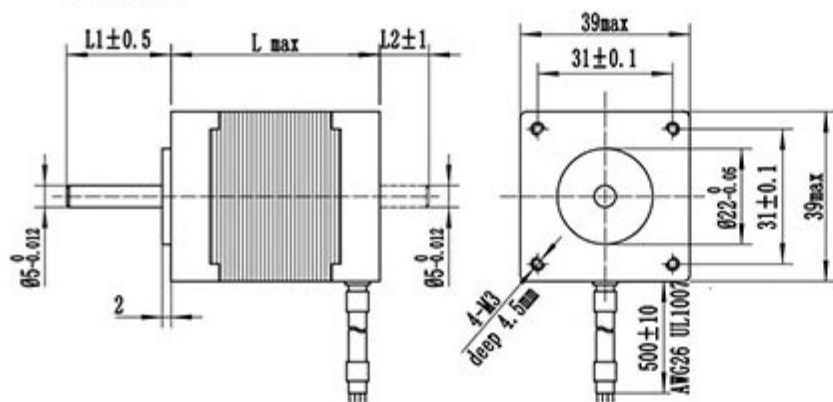
Item	Specifications
Step Angle Accuracy	±5%
Resistance Accuracy	±10%
Inductance Accuracy	±20%
Temperature Rise	80°C Max
Ambient Temperature	-20°C~+50°C
Insulation Resistance	100MΩMin.500VDC
Dielectric Strength	500VAC for one minute
Shaft Radial Play	0.02Max.(450g-load)
Shaft Axial Play	0.08Max.(450g-load)

Model No	Step Angle (°)	Rated Voltage (V)	Rated Current (A)	Phase Resistance (Ω)	Phase Inductance (mH)	Holding Torque (Kg.cm)	Detent Torque (g.cm Max)	Rotor Inertia (g.cm ²)	Motor Length (mm)	Leads No.	Motor Weight (g)
39HS20-0404A	1.8	2.64	0.4	7.5	6.6	0.65	50	11	20	4	120
39HS20-0506A	1.8	6.5	0.5	7.5	1.3	0.8	50	11	20	6	120
39HS34-0654A	1.8	4.55	0.65	9.3	7	1.8	120	20	34	4	210
39HS34-0306A	1.8	12	0.3	20	40	1.3	120	20	34	6	210
39HS38-0504A	1.8	12	0.5	45	24	2.9	180	24	38	4	250
39HS38-0806A	1.8	6	0.8	6	7.5	2	180	24	38	6	250
39HS44-0304A	1.8	12	0.3	80	42	3	250	40	44	4	260

Above only for representative products, products of special request can be made according to the customer request.

Dimensions

unit=mm



Wiring Diagram:

