

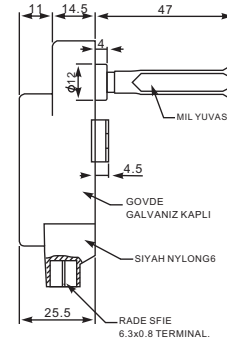
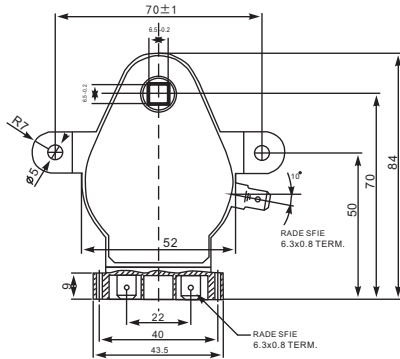
TW-70B

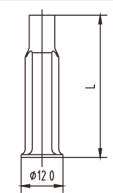
Applications

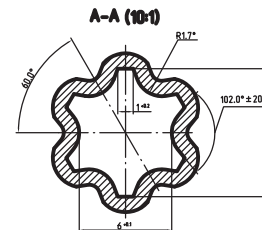
烤箱Oven/Grill
家用电器 Household appliances



Outline



| Spit style | L | Applicable shaft |
|--|--------|----------------------------|
|  | H TYPE | 25.5mm 35.5mm 40.5mm |
| | S TYPE | 30.5mm 35.5mm 40.5mm |
| | T TYPE | 25.5mm 35.5mm 40.5mm |



Model

Motor Specifications

| | | | | |
|-----------------------|----|------------------|------|-------|
| Rated voltage | V | 110 | 220 | 230 |
| Power frequency | Hz | 50/60 | | |
| Input power | W | 5 | ≤5 | 6 |
| Input current | A | 0.059 | 0.03 | 0.033 |
| Rotation | | CW, CCW (Free) | | |
| Operation temperature | °C | -15 To 125 | | |
| Temperature rise | K | ≤45 | | |
| Noise | | <40db(A) | | |
| Insulation | | AC1500V 50Hz/min | | |

Output speed & Torque

| | | | | | |
|------|---------------|-------|-----|----|-----|
| 50Hz | Output speed | r/min | 1.8 | 2 | 2.5 |
| | Output torque | kg.cm | 16 | 12 | 11 |

Customized Versions

1. Working voltages and frequencies can be made as per user's requirements.
2. Colour and length of wire can be made according to the requirements.
3. The output shaft can be made according to the customers need.